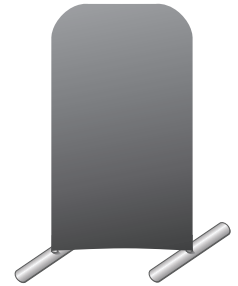
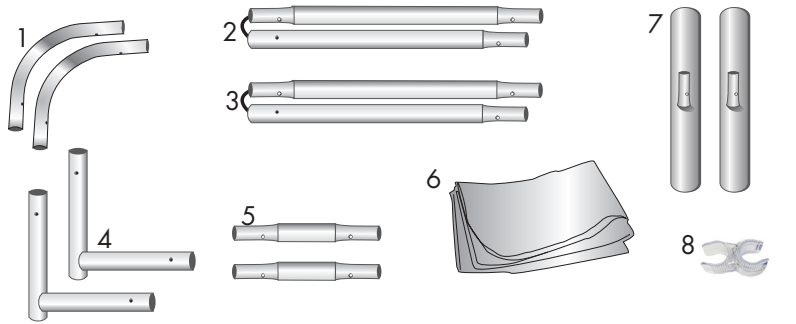


# 2FT 54" Eurofit Wall

## Product Parts

- 1 - Top Corner Poles (x2)
- 2 - Left Side
- 3 - Right Side
- 4 - Bottom Corner Poles (x2)
- 5 - Top & Bottom Center Poles (x2)
- 6 - Graphic
- 7 - Feet (x2)
- 8 - Plastic Hinge Connector



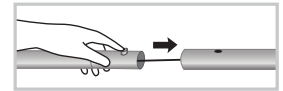
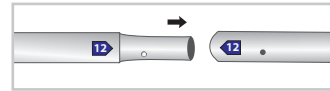
## Display Set-Up

### Step 1

Begin by removing all parts from the carry case and place on a clean, flat surface. Ensure you have all the components listed above.

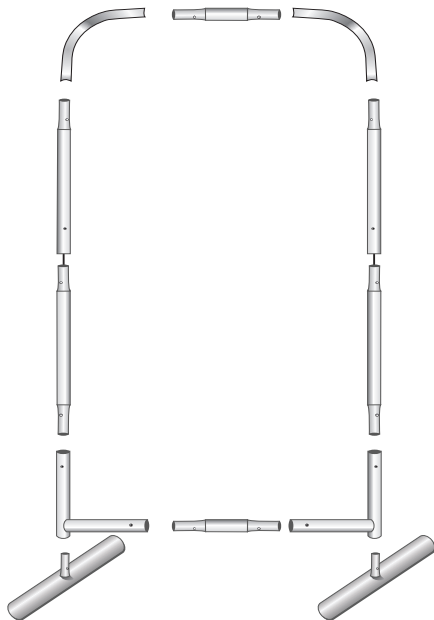
### Step 2

Assemble all the poles by connecting the corresponding numbers together while pressing the snap button as shown.



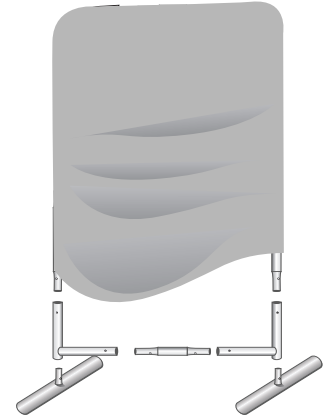
### Step 3

Continue to connect the poles illustrated in the image below.



### Step 4

Drape the Graphic (6) over the hardware as shown.



### Plastic Hinge Connector

Used to connect all Eurofit Displays with 1.25" Diameter Poles.



## Storage & Care

Place all product parts into Carry Case and store in a cool dry location. Recommended for indoor use only. Machine wash on gentle cycle using mild detergent. Tumble Dry No Heat. Do NOT dry clean, Do NOT Iron.